

# GATE OPERATOR SAFETY



**WILCOX  
DOOR SERVICE INC.**

**LiftMaster**

 **HySecurity**

**Are your gates**



**UL325 Compliant?**

[wilcoxdoor.com](http://wilcoxdoor.com)

**3 out of 4**  
gates & operators  
lack or need replacements  
of necessary safety features.

**Why**  
**is this important?**

**... to prevent future  
accidents or fatalities.**

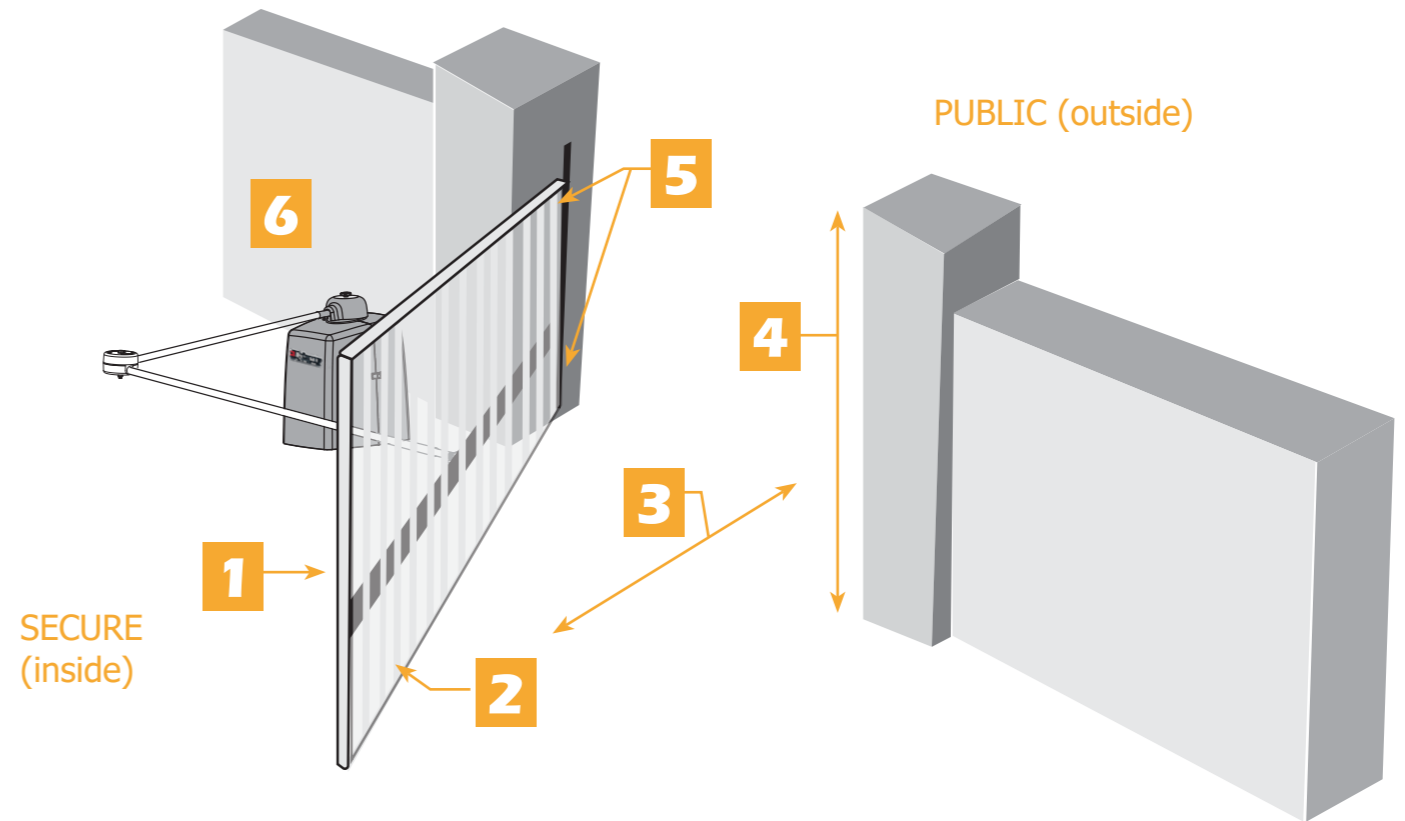
**Do you have 2**

**independent safety  
devices installed at  
each entrapment zone ?**

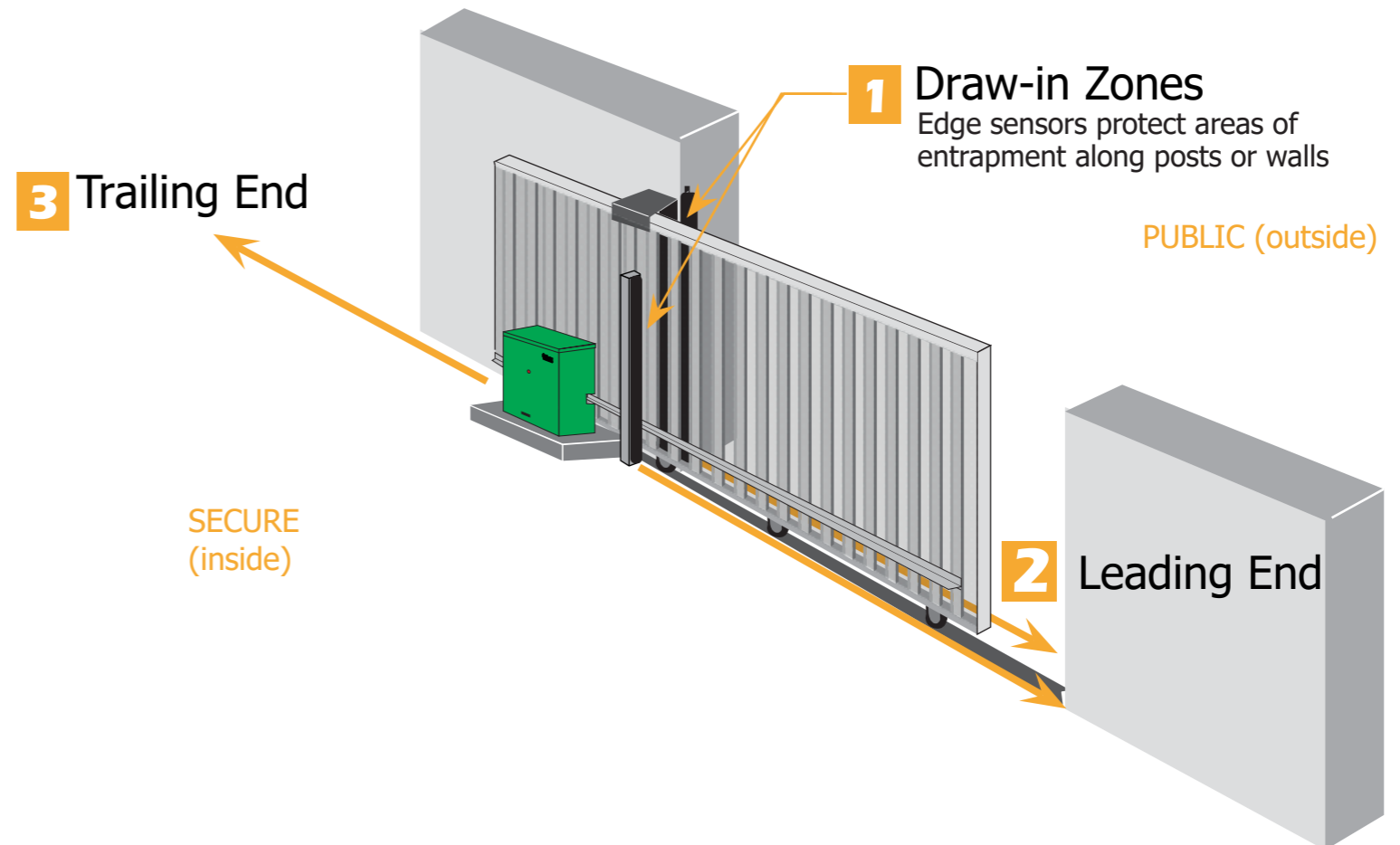
**\*Photo-Eyes or Safety Edge**

# Potential Zones for Entrapment Protection

- 1) Leading Edge
- 2) Bottom Edge
- 3) Entry/Exit
- 4) Posts
- 5) Post Pivot/Pinch Points
- 6) Arm Movement



- 1) Draw-In Zones
- 2) Leading End
- 3) Trailing End



# UL325 Standards

(Underwriters Laboratory)

- ✓ Gate Operator approved to current standards
- ✓ Proper gate warning signs attached to both sides of gate area
- ✓ Each entrapment zone protected by 2 safety devices/obstruction tested



# Installation Standards

- ✓ Only install operator on gates used for vehicular traffic.
- ✓ A separate pedestrian entry/exit must be clearly visible to promote pedestrian usage. It must also be located away from vehicle gate so pedestrians do not come in contact with it.
- ✓ Install both primary & secondary devices to protect each entrapment zone.
- ✓ Pickets of a slide gate must be designed/screened to prevent persons from reaching/passing through a gate.

# **Make Safety your Priority.**

Schedule your free consultation to ensure your gates and operators are UL325 Safety Compliant.

**wilcoxdoor.com | 905-274-9413**